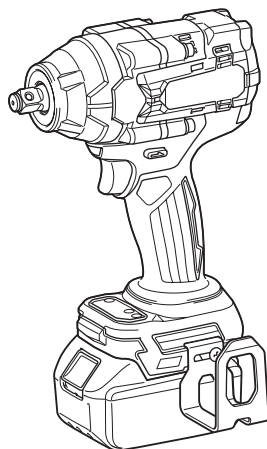


**INSTRUCTION MANUAL
MANUAL DE INSTRUCCIONES**



Cordless Impact Wrench Llave de Impacto Inalámbrica

**XWT17
XWT18**



IMPORTANT: Read Before Using.
IMPORTANTE: Lea antes de usar.

SPECIFICATIONS

Model:		XWT17	XWT18
Fastening capacities	Standard bolt	M10 - M24 (3/8" - 1")	
	High tensile bolt	M10 - M16 (3/8" - 5/8")	
Square drive		12.7 mm (1/2")	
No load speed	Max impact mode (4)	0 - 2,200 /min	
	Hard impact mode (3)	0 - 1,900 /min	
	Medium impact mode (2)	0 - 1,200 /min	
	Soft impact mode (1)	0 - 500 /min	
Impacts per minute	Max impact mode (4)	0 - 2,700 /min	
	Hard impact mode (3)	0 - 2,400 /min	
	Medium impact mode (2)	0 - 1,700 /min	
	Soft impact mode (1)	0 - 1,000 /min	
Overall length		170 mm (6-11/16")	
Rated voltage		D.C. 18 V	
Use in high voltage environment		-	
Net weight		2.3 - 2.7 kg (5.1 - 6.0 lbs)	

- Due to our continuing program of research and development, the specifications herein are subject to change without notice.
- Specifications may differ from country to country.
- The weight may differ depending on the attachment(s), including the battery cartridge. The lightest and heaviest combination, according to EPTA-Procedure 01/2014, are shown in the table.

Applicable battery cartridge and charger

Battery cartridge	BL1815N / BL1820B / BL1830 / BL1830B / BL1840B / BL1850B / BL1860B
Charger	DC18RC / DC18RD / DC18RE / DC18SD / DC18SE / DC18SF / DC18SH

- Some of the battery cartridges and chargers listed above may not be available depending on your region of residence.

⚠ WARNING: Only use the battery cartridges and chargers listed above. Use of any other battery cartridges and chargers may cause injury and/or fire.

SAFETY WARNINGS

General power tool safety warnings

⚠ WARNING: Read all safety warnings, instructions, illustrations and specifications provided with this power tool. Failure to follow all instructions listed below may result in electric shock, fire and/or serious injury.

Save all warnings and instructions for future reference.

The term "power tool" in the warnings refers to your mains-operated (corded) power tool or battery-operated (cordless) power tool.

Work area safety

1. **Keep work area clean and well lit.** Cluttered or dark areas invite accidents.
2. **Do not operate power tools in explosive atmospheres, such as in the presence of flammable liquids, gases or dust.** Power tools create sparks which may ignite the dust or fumes.
3. **Keep children and bystanders away while operating a power tool.** Distractions can cause you to lose control.

Electrical Safety

1. **Power tool plugs must match the outlet. Never modify the plug in any way. Do not use any adapter plugs with earthed (grounded) power tools.** Unmodified plugs and matching outlets will reduce risk of electric shock.

2. **Avoid body contact with earthed or grounded surfaces, such as pipes, radiators, ranges and refrigerators.** There is an increased risk of electric shock if your body is earthed or grounded.
3. **Do not expose power tools to rain or wet conditions.** Water entering a power tool will increase the risk of electric shock.
4. **Do not abuse the cord. Never use the cord for carrying, pulling or unplugging the power tool. Keep cord away from heat, oil, sharp edges or moving parts.** Damaged or entangled cords increase the risk of electric shock.
5. **When operating a power tool outdoors, use an extension cord suitable for outdoor use.** Use of a cord suitable for outdoor use reduces the risk of electric shock.
6. **If operating a power tool in a damp location is unavoidable, use a ground fault circuit interrupter (GFCI) protected supply.** Use of a GFCI reduces the risk of electric shock.
7. **Power tools can produce electromagnetic fields (EMF) that are not harmful to the user.** However, users of pacemakers and other similar medical devices should contact the maker of their device and/or doctor for advice before operating this power tool.

Personal Safety

1. **Stay alert, watch what you are doing and use common sense when operating a power tool. Do not use a power tool while you are tired or under the influence of drugs, alcohol or medication.** A moment of inattention while operating power tools may result in serious personal injury.
 2. **Use personal protective equipment. Always wear eye protection.** Protective equipment such as dust mask, non-skid safety shoes, hard hat, or hearing protection used for appropriate conditions will reduce personal injuries.
 3. **Prevent unintentional starting. Ensure the switch is in the off-position before connecting to power source and/or battery pack, picking up or carrying the tool.** Carrying power tools with your finger on the switch or energising power tools that have the switch on invites accidents.
 4. **Remove any adjusting key or wrench before turning the power tool on.** A wrench or a key left attached to a rotating part of the power tool may result in personal injury.
 5. **Do not overreach. Keep proper footing and balance at all times.** This enables better control of the power tool in unexpected situations.
 6. **Dress properly. Do not wear loose clothing or jewellery. Keep your hair, clothing and gloves away from moving parts.** Loose clothes, jewellery or long hair can be caught in moving parts.
 7. **If devices are provided for the connection of dust extraction and collection facilities, ensure these are connected and properly used.** Use of dust collection can reduce dust-related hazards.
 8. **Do not let familiarity gained from frequent use of tools allow you to become complacent and ignore tool safety principles.** A careless action can cause severe injury within a fraction of a second.
9. **Always wear protective goggles to protect your eyes from injury when using power tools. The goggles must comply with ANSI Z87.1 in the USA.**
It is an employer's responsibility to enforce the use of appropriate safety protective equipment by the tool operators and by other persons in the immediate working area.

Power tool use and care

1. **Do not force the power tool. Use the correct power tool for your application.** The correct power tool will do the job better and safer at the rate for which it was designed.
2. **Do not use the power tool if the switch does not turn it on and off.** Any power tool that cannot be controlled with the switch is dangerous and must be repaired.
3. **Disconnect the plug from the power source and/or remove the battery pack, if detachable, from the power tool before making any adjustments, changing accessories, or storing power tools.** Such preventive safety measures reduce the risk of starting the power tool accidentally.
4. **Store idle power tools out of the reach of children and do not allow persons unfamiliar with the power tool or these instructions to operate the power tool.** Power tools are dangerous in the hands of untrained users.
5. **Maintain power tools and accessories. Check for misalignment or binding of moving parts, breakage of parts and any other condition that may affect the power tool's operation. If damaged, have the power tool repaired before use.** Many accidents are caused by poorly maintained power tools.
6. **Keep cutting tools sharp and clean.** Properly maintained cutting tools with sharp cutting edges are less likely to bind and are easier to control.
7. **Use the power tool, accessories and tool bits etc. in accordance with these instructions, taking into account the working conditions and the work to be performed.** Use of the power tool for operations different from those intended could result in a hazardous situation.
8. **Keep handles and grasping surfaces dry, clean and free from oil and grease.** Slippery handles and grasping surfaces do not allow for safe handling and control of the tool in unexpected situations.
9. **When using the tool, do not wear cloth work gloves which may be entangled.** The entanglement of cloth work gloves in the moving parts may result in personal injury.

Battery tool use and care

1. **Recharge only with the charger specified by the manufacturer.** A charger that is suitable for one type of battery pack may create a risk of fire when used with another battery pack.
2. **Use power tools only with specifically designated battery packs.** Use of any other battery packs may create a risk of injury and fire.

3. **When battery pack is not in use, keep it away from other metal objects, like paper clips, coins, keys, nails, screws or other small metal objects, that can make a connection from one terminal to another.** Shorting the battery terminals together may cause burns or a fire.
4. **Under abusive conditions, liquid may be ejected from the battery; avoid contact. If contact accidentally occurs, flush with water. If liquid contacts eyes, additionally seek medical help.** Liquid ejected from the battery may cause irritation or burns.
5. **Do not use a battery pack or tool that is damaged or modified.** Damaged or modified batteries may exhibit unpredictable behaviour resulting in fire, explosion or risk of injury.
6. **Do not expose a battery pack or tool to fire or excessive temperature.** Exposure to fire or temperature above 130 °C may cause explosion.
7. **Follow all charging instructions and do not charge the battery pack or tool outside the temperature range specified in the instructions.** Charging improperly or at temperatures outside the specified range may damage the battery and increase the risk of fire.

Service

1. **Have your power tool serviced by a qualified repair person using only identical replacement parts.** This will ensure that the safety of the power tool is maintained.
2. **Never service damaged battery packs.** Service of battery packs should only be performed by the manufacturer or authorized service providers.
3. **Follow instruction for lubricating and changing accessories.**
4. **Do not modify or attempt to repair the appliance or the battery pack except as indicated in the instructions for use and care.**

Cordless impact wrench safety warnings

1. **Hold the power tool by insulated gripping surfaces, when performing an operation where the fastener may contact hidden wiring.** Fasteners contacting a "live" wire may make exposed metal parts of the power tool "live" and could give the operator an electric shock.
2. **Wear ear protectors.**
3. **Check the impact socket carefully for wear, cracks or damage before installation.**
4. **Hold the tool firmly.**
5. **Keep hands away from rotating parts.**
6. **Do not touch the impact socket, bolt, nut or the workpiece immediately after operation.** They may be extremely hot and could burn your skin.
7. **Always be sure you have a firm footing. Be sure no one is below when using the tool in high locations.**
8. **The proper fastening torque may differ depending upon the kind or size of the bolt. Check the torque with a torque wrench.**


SAVE THESE INSTRUCTIONS.

⚠WARNING: DO NOT let comfort or familiarity with product (gained from repeated use) replace strict adherence to safety rules for the subject product.

MISUSE or failure to follow the safety rules stated in this instruction manual may cause serious personal injury.

Symbols

The followings show the symbols used for tool.

V	volts
— ---	direct current
n ₀	no load speed
... /min r /min	revolutions or reciprocation per minute
	number of blow

Important safety instructions for battery cartridge

1. **Before using battery cartridge, read all instructions and cautionary markings on (1) battery charger, (2) battery, and (3) product using battery.**
2. **Do not disassemble battery cartridge.**
3. **If operating time has become excessively shorter, stop operating immediately. It may result in a risk of overheating, possible burns and even an explosion.**
4. **If electrolyte gets into your eyes, rinse them out with clear water and seek medical attention right away. It may result in loss of your eyesight.**
5. **Do not short the battery cartridge:**
 - (1) **Do not touch the terminals with any conductive material.**
 - (2) **Avoid storing battery cartridge in a container with other metal objects such as nails, coins, etc.**
 - (3) **Do not expose battery cartridge to water or rain.**

A battery short can cause a large current flow, overheating, possible burns and even a breakdown.
6. **Do not store and use the tool and battery cartridge in locations where the temperature may reach or exceed 50 °C (122 °F).**
7. **Do not incinerate the battery cartridge even if it is severely damaged or is completely worn out. The battery cartridge can explode in a fire.**
8. **Be careful not to drop or strike battery.**
9. **Do not use a damaged battery.**

10. **The contained lithium-ion batteries are subject to the Dangerous Goods Legislation requirements.**

For commercial transports e.g. by third parties, forwarding agents, special requirement on packaging and labeling must be observed. For preparation of the item being shipped, consulting an expert for hazardous material is required. Please also observe possibly more detailed national regulations.

Tape or mask off open contacts and pack up the battery in such a manner that it cannot move around in the packaging.

11. **When disposing the battery cartridge, remove it from the tool and dispose of it in a safe place. Follow your local regulations relating to disposal of battery.**
12. **Use the batteries only with the products specified by Makita.** Installing the batteries to non-compliant products may result in a fire, excessive heat, explosion, or leak of electrolyte.
13. **If the tool is not used for a long period of time, the battery must be removed from the tool.**

SAVE THESE INSTRUCTIONS.

CAUTION: Only use genuine Makita batteries. Use of non-genuine Makita batteries, or batteries that have been altered, may result in the battery bursting causing fires, personal injury and damage. It will also void the Makita warranty for the Makita tool and charger.

Tips for maintaining maximum battery life

1. **Charge the battery cartridge before completely discharged. Always stop tool operation and charge the battery cartridge when you notice less tool power.**
2. **Never recharge a fully charged battery cartridge. Overcharging shortens the battery service life.**
3. **Charge the battery cartridge with room temperature at 10 °C - 40 °C (50 °F - 104 °F). Let a hot battery cartridge cool down before charging it.**
4. **Charge the battery cartridge if you do not use it for a long period (more than six months).**

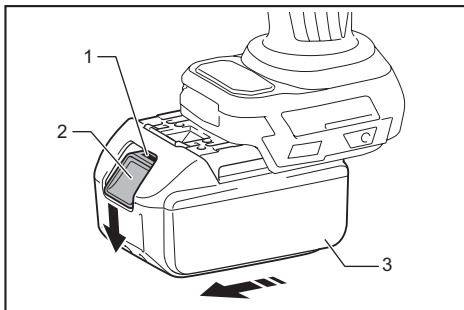
FUNCTIONAL DESCRIPTION

CAUTION: Always be sure that the tool is switched off and the battery cartridge is removed before adjusting or checking function on the tool.

Installing or removing battery cartridge

CAUTION: Always switch off the tool before installing or removing of the battery cartridge.

CAUTION: Hold the tool and the battery cartridge firmly when installing or removing battery cartridge. Failure to hold the tool and the battery cartridge firmly may cause them to slip off your hands and result in damage to the tool and battery cartridge and a personal injury.



► 1. Red indicator 2. Button 3. Battery cartridge

To remove the battery cartridge, slide it from the tool while sliding the button on the front of the cartridge.

To install the battery cartridge, align the tongue on the battery cartridge with the groove in the housing and slip it into place. Insert it all the way until it locks in place with a little click. If you can see the red indicator on the upper side of the button, it is not locked completely.

CAUTION: Always install the battery cartridge fully until the red indicator cannot be seen. If not, it may accidentally fall out of the tool, causing injury to you or someone around you.

CAUTION: Do not install the battery cartridge forcibly. If the cartridge does not slide in easily, it is not being inserted correctly.

Tool / battery protection system

The tool is equipped with a tool/battery protection system. This system automatically cuts off the power to extend tool and battery life. The tool will automatically stop during operation if the tool or battery is placed under one of the following conditions:

Overload protection

This protection works when the tool is operated in a manner that causes it to draw an abnormally high current. In this situation, turn the tool off and stop the application that caused the tool to become overloaded. Then turn the tool on to restart.

Overheat protection

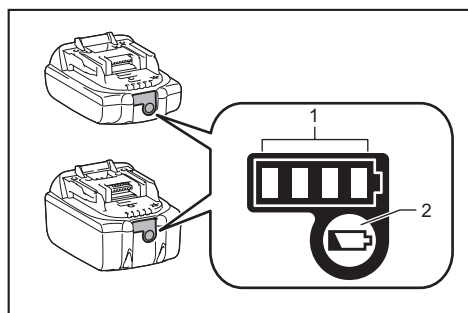
This protection works when the tool or battery is overheated. In this situation, let the tool and battery cool before turning the tool on again.

Overdischarge protection

This protection works when the remaining battery capacity gets low. In this situation, remove the battery from the tool and charge the battery.

Indicating the remaining battery capacity

Only for battery cartridges with the indicator



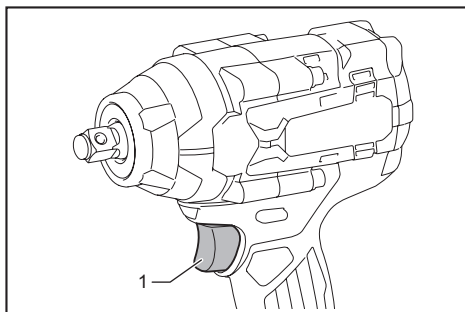
► 1. Indicator lamps 2. Check button

Press the check button on the battery cartridge to indicate the remaining battery capacity. The indicator lamps light up for a few seconds.

Indicator lamps			Remaining capacity
Lighted	Off	Blinking	
■ ■ ■ ■			75% to 100%
■ ■ ■ □			50% to 75%
■ ■ □ □			25% to 50%
■ □ □ □			0% to 25%
▬ □ □ □			Charge the battery.
■ ■ □ □	□ □		The battery may have malfunctioned.
□ □ ■ ■			

NOTE: Depending on the conditions of use and the ambient temperature, the indication may differ slightly from the actual capacity.

Switch action



► 1. Switch trigger

CAUTION: Before installing the battery cartridge into the tool, always check to see that the switch trigger actuates properly and returns to the "OFF" position when released.

To start the tool, simply pull the switch trigger. Tool speed is increased by increasing pressure on the switch trigger. Release the switch trigger to stop.

NOTE: The tool automatically stops when you keep pulling the switch trigger for 6 minutes.

NOTE: When full speed mode is turned on, the rotation speed becomes fastest even if you do not pull the switch trigger fully.

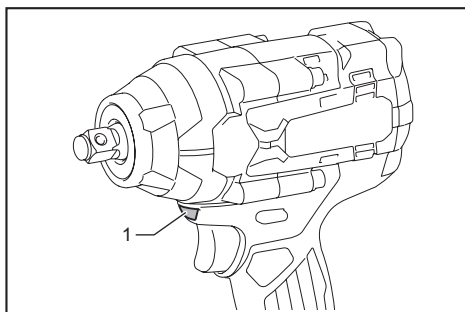
For detail information, refer to the section of full speed mode.

Electric brake

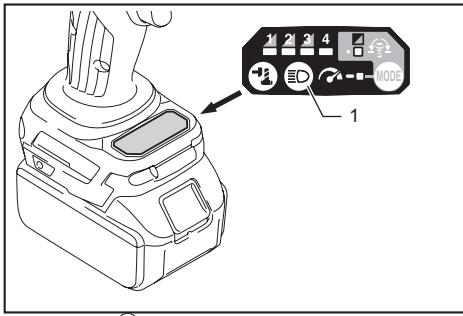
This tool is equipped with an electric brake. If the tool consistently fails to quickly stop after the switch trigger is released, have the tool serviced at a Makita service center.


Lighting up the front lamp


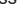
CAUTION: Do not look in the light or see the source of light directly.



► 1. Lamp



► 1. Button 

To turn on the lamp status, press the button  for one second. To turn off the lamp status, press the button  for one second again.

With the lamp status ON, pull the switch trigger to turn on the lamp. To turn off, release it. The lamp goes out approximately 10 seconds after releasing the switch trigger.

With the lamp status OFF, the lamp does not turn on even if pulling the trigger.

NOTE: To confirm the lamp status, pull the trigger. When the lamp lights up by pulling the switch trigger, the lamp status is ON. When the lamp does not come on, the lamp status is OFF.

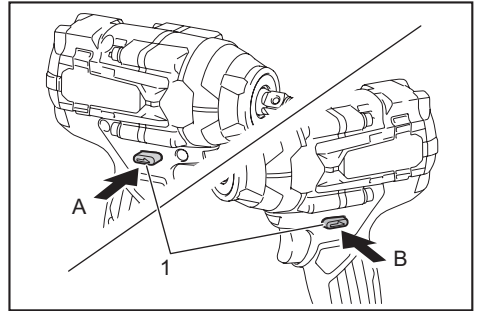
NOTE: When the tool is overheated, the light flashes for one minute, and then the LED display goes off. In this case, cool down the tool before operating again.

NOTE: Use a dry cloth to wipe the dirt off the lens of the lamp. Be careful not to scratch the lens of lamp, or it may lower the illumination.

NOTE: While pulling the switch trigger, the lamp status cannot be changed.

NOTE: For approximately 10 seconds after releasing the switch trigger, the lamp status can be changed.

Reversing switch action



► 1. Reversing switch lever

CAUTION: Always check the direction of rotation before operation.

CAUTION: Use the reversing switch only after the tool comes to a complete stop. Changing the direction of rotation before the tool stops may damage the tool.

CAUTION: When not operating the tool, always set the reversing switch lever to the neutral position.

This tool has a reversing switch to change the direction of rotation. Depress the reversing switch lever from the A side for clockwise rotation or from the B side for counterclockwise rotation.


When the reversing switch lever is in the neutral position, the switch trigger cannot be pulled.

Changing the application mode



Changing the impact force

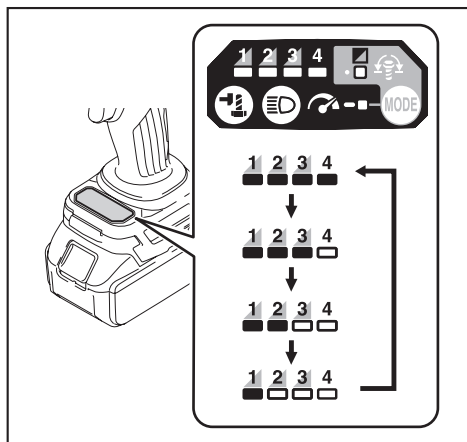
You can change the impact force in four steps: 4 (max), 3 (hard), 2 (medium), and 1 (soft).








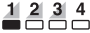
This allows a tightening suitable to the work.


The level of the impact force changes every time you press the button .


You can change the impact force within approximately one minute after releasing the switch trigger.

NOTE: You can extend the time to change the impact force approximately one minute if you press the button  or .



Application mode (Impact force grade displayed on panel)	Maximum blows	Purpose
4 (Max)  	2,700 min ⁻¹ (/min)	Tightening with the maximum force and speed. Tightening when the force and the speed are desired.
3 (Hard)  	2,400 min ⁻¹ (/min)	Tightening with less force and speed than Max mode (easier to control than Max mode). Tightening when the force and the speed are desired.
2 (Medium)  	1,700 min ⁻¹ (/min)	Tightening when a good finishing is needed. Tightening when you need good control power.
1 (Soft)  	1,000 min ⁻¹ (/min)	Tightening with less force to avoid screw thread breakage. Tightening when you need fine adjustment with small diameter bolts.


: The lamp is on.

NOTE: When none of the lamp on the panel is lit, pull the switch trigger once before pressing the button .



NOTE: All lamps on the switch panel go out when the tool is turned off to save the battery power. The impact force grade can be checked by pulling the switch trigger to the extent that the tool does not operate.

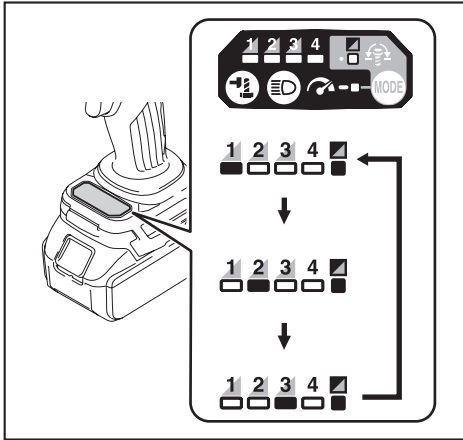
Changing the application mode

This tool employs several easy-to-use application modes for driving bolts with good control.


The type of the application mode changes every time you press the button .


You can change the application mode within approximately one minute after releasing the switch trigger.


NOTE: You can extend the time to change the application mode approximately one minute if you press the button  or .



Application mode (Assist type displayed on panel)	Feature	Purpose
Bolt mode	<p>Clockwise This mode helps to repeat screwdriving continuously with equal torque. This mode also helps to reduce the risk of breakage of bolts/nuts due to overtightening.</p> <p>Counterclockwise This mode helps to prevent a bolt from falling off. When loosening a bolt with the tool driving in counterclockwise rotation, the tool automatically stops or slows down after the bolt/nut gets enough loosened.</p> <p>NOTE: The timing to stop the driving varies depending on the type of the bolt/nut and material to be driven. Make a test driving before using this mode.</p>	<p>Clockwise Preventing over tightening of bolts.</p> <p>Counterclockwise Loosening bolts.</p>
Bolt mode (1)	<p>Clockwise The tool stops automatically as soon as it has started impact blows.</p> <p>Counterclockwise The impact force is 4. The tool stops automatically as soon as it has stopped impact blows.</p>	—
Bolt mode (2)	<p>Clockwise The tool stops automatically approximately 0.5 second later from the moment that the tool has started impact blows.</p> <p>Counterclockwise The impact force is 4. The tool stops automatically approximately 0.2 second later from the moment that the tool has stopped impact blows.</p>	—

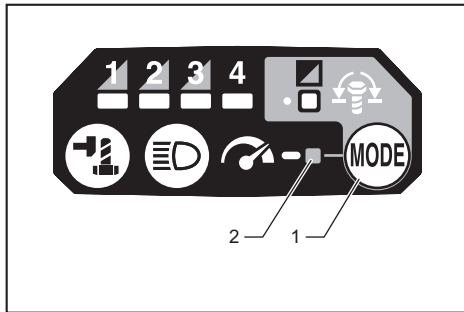
Application mode (Assist type displayed on panel)	Feature	Purpose
Bolt mode (3) 	Clockwise The tool stops automatically approximately 1 second later from the moment that the tool has started impact blows. Counterclockwise The tool slows down the rotation after it has stopped impact blows.	—

: The lamp is on.

NOTE: When none of the lamp on the panel is lit, pull the switch trigger once before pressing the button .



NOTE: All lamps on the switch panel go out when the tool is turned off to save the battery power. The type of the application mode can be checked by pulling the switch trigger to the extent that the tool does not operate.

Full speed mode



► 1. Button  2. Lamp

When full speed mode is turned on, the tool speed becomes fastest even if you do not pull the switch trigger fully. When full speed mode is turned off, the tool speed increases as you increase the pressure on the switch trigger.

To turn on full speed mode, press and hold the button . To turn off full speed mode, press and hold the button  again.

The lamp turns on while full speed mode is on.

NOTE: Full speed mode continues even after switching the impact force mode/auto stop mode.

ASSEMBLY

CAUTION: Always be sure that the tool is switched off and the battery cartridge is removed before carrying out any work on the tool.

Selecting correct impact socket

Always use the correct size impact socket for bolts and nuts. An incorrect size impact socket will result in inaccurate and inconsistent fastening torque and/or damage to the bolt or nut.

Installing or removing impact socket

Optional accessory

CAUTION: Make sure that the impact socket and the mounting portion are not damaged before installing the impact socket.

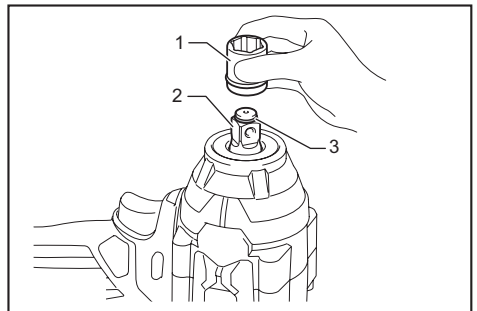
CAUTION: After inserting the impact socket, make sure that it is firmly secured. If it comes out, do not use it.

NOTE: The way of impact socket installation varies depending on the type of the square drive on the tool.

Tool with the ring spring

Model XWT17

For impact socket without O-ring and pin

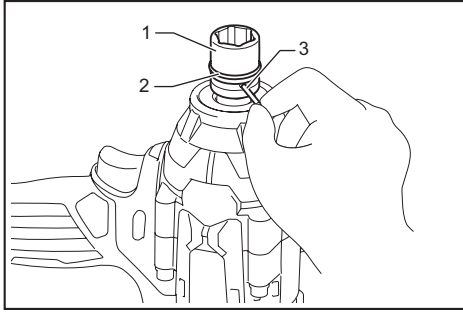


► 1. Impact socket 2. Square drive 3. Ring spring

Push the impact socket onto the square drive until it locks into place.

To remove the impact socket, simply pull it off.

For impact socket with O-ring and pin



► 1. Impact socket 2. O-ring 3. Pin

Move the O-ring out of the groove in the impact socket and remove the pin from the impact socket. Fit the impact socket onto the square drive so that the hole in the impact socket is aligned with the hole in the square drive.

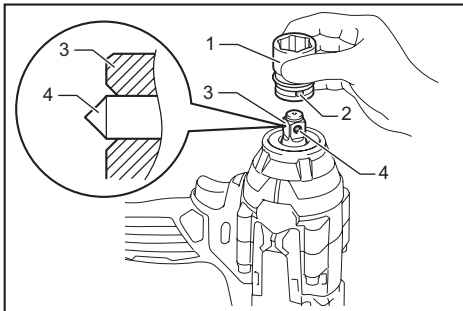
Insert the pin through the hole in the impact socket and square drive. Then return the O-ring to the original position in the impact socket groove to retain the pin.

To remove the impact socket, follow the installation procedures in reverse.

Tool with the detent pin

Model XWT18

For tool with light fit detent pin



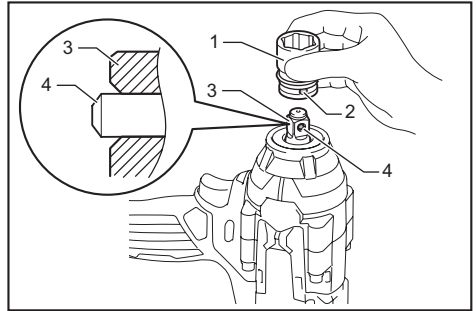
► 1. Impact socket 2. Hole 3. Square drive 4. Detent pin

To install the socket, align the hole in the side of the socket with the detent pin on the square drive, and then, push it onto the square drive until it locks into place. Tap it lightly if required.

To remove the socket, simply pull it off.

For tool with firm fit detent pin

Optional accessory



► 1. Impact socket 2. Hole 3. Square drive 4. Detent pin

To install the socket, align the hole in the side of the socket with the detent pin on the square drive, and then, push it onto the square drive until it locks into place. Tap it lightly if required.

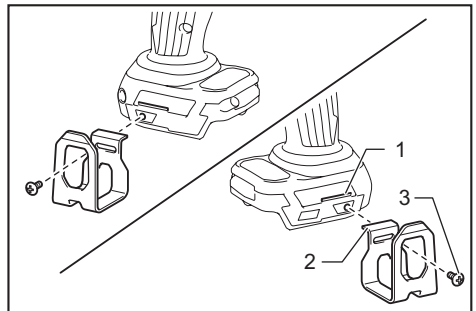
To remove the socket, depress the detent pin through the hole in the socket and pull the socket off the square drive.

NOTE: The firm fit detent pin may fit too securely to remove the socket.

In that case, depress the firm fit detent pin fully and pull the socket off the square drive.

Installing hook

CAUTION: When installing the hook, always secure it with the screw firmly. If not, the hook may come off from the tool and result in the personal injury.

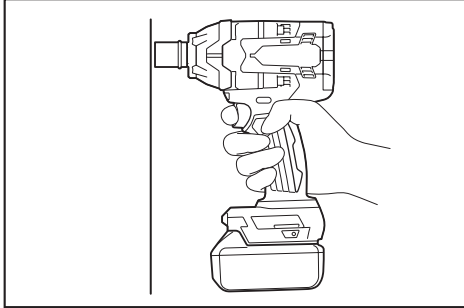


► 1. Groove 2. Hook 3. Screw

The hook is convenient for temporarily hanging the tool. This can be installed on either side of the tool. To install the hook, insert it into a groove in the tool housing on either side and then secure it with a screw. To remove, loosen the screw and then take it out.

OPERATION

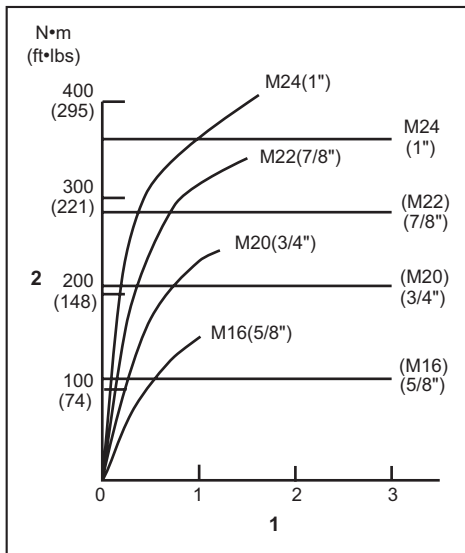
CAUTION: Always insert the battery cartridge all the way until it locks in place. If you can see the red indicator on the upper side of the button, it is not locked completely. Insert it fully until the red indicator cannot be seen. If not, it may accidentally fall out of the tool, causing injury to you or someone around you.



Hold the tool firmly and place the impact socket over the bolt or nut. Turn the tool on and fasten for the proper fastening time.

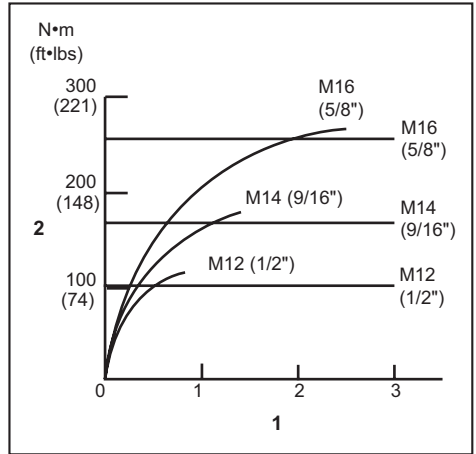
The proper fastening torque may differ depending upon the kind or size of the bolt, the material of the workpiece to be fastened, etc. The relation between fastening torque and fastening time is shown in the figures.

Proper fastening torque for standard bolt with max impact mode (4)



1. Fastening time (second) 2. Fastening torque

Proper fastening torque for high tensile bolt with max impact mode (4)



1. Fastening time (second) 2. Fastening torque

NOTE: Hold the tool pointed straight at the bolt or nut.

NOTE: Excessive fastening torque may damage the bolt/nut or impact socket. Before starting your job, always perform a test operation to determine the proper fastening time for your bolt or nut.

NOTE: If the tool is operated continuously until the battery cartridge has discharged, allow the tool to rest for 15 minutes before proceeding with a fresh battery cartridge.

The fastening torque is affected by a wide variety of factors including the following. After fastening, always check the torque with a torque wrench.

- When the battery cartridge is discharged almost completely, voltage will drop and the fastening torque will be reduced.
- Impact socket
 - Failure to use the correct size impact socket will cause a reduction in the fastening torque.
 - A worn impact socket (wear on the hex end or square end) will cause a reduction in the fastening torque.
- Bolt
 - Even though the torque coefficient and the class of bolt are the same, the proper fastening torque will differ according to the diameter of bolt.
 - Even though the diameters of bolts are the same, the proper fastening torque will differ according to the torque coefficient, the class of bolt and the bolt length.
- The use of the universal joint or the extension bar somewhat reduces the fastening force of the impact wrench. Compensate by fastening for a longer period of time.
- The manner of holding the tool or the material of driving position to be fastened will affect the torque.
- Operating the tool at low speed will cause a reduction in the fastening torque.

MAINTENANCE

⚠ CAUTION: Always be sure that the tool is switched off and the battery cartridge is removed before attempting to perform inspection or maintenance.

NOTICE: Never use gasoline, benzine, thinner, alcohol or the like. Discoloration, deformation or cracks may result.

To maintain product SAFETY and RELIABILITY, repairs, any other maintenance or adjustment should be performed by Makita Authorized or Factory Service Centers, always using Makita replacement parts.

OPTIONAL ACCESSORIES

⚠ CAUTION: These accessories or attachments are recommended for use with your Makita tool specified in this manual. The use of any other accessories or attachments might present a risk of injury to persons. Only use accessory or attachment for its stated purpose.

If you need any assistance for more details regarding these accessories, ask your local Makita Service Center.

- Impact socket
- Extension bar
- Universal joint
- Makita genuine battery and charger
- Pin 4 Set (For XWT18 only)

NOTE: Some items in the list may be included in the tool package as standard accessories. They may differ from country to country.

MAKITA LIMITED WARRANTY

Please refer to the annexed warranty sheet for the most current warranty terms applicable to this product. If annexed warranty sheet is not available, refer to the warranty details set forth at below website for your respective country.

United States of America: www.makitatools.com

Canada: www.makita.ca

Other countries: www.makita.com

ESPECIFICACIONES

Modelo:		XWT17	XWT18
Capacidades de apriete	Perno estándar	10 mm - 24 mm (3/8" - 1")	
	Perno de alta resistencia	10 mm - 16 mm (3/8" - 5/8")	
Adaptador cuadrado		12,7 mm (1/2")	
Velocidad sin carga	Modo de impacto máx. (4)	0 r/min - 2 200 r/min	
	Modo de impacto duro (3)	0 r/min - 1 900 r/min	
	Modo de impacto medio (2)	0 r/min - 1 200 r/min	
	Modo de impacto suave (1)	0 r/min - 500 r/min	
Impactos por minuto	Modo de impacto máx. (4)	0 ipm - 2 700 ipm	
	Modo de impacto duro (3)	0 ipm - 2 400 ipm	
	Modo de impacto medio (2)	0 ipm - 1 700 ipm	
	Modo de impacto suave (1)	0 ipm - 1 000 ipm	
Longitud total		170 mm (6-11/16")	
Tensión nominal		18 V c.c.	
Úsese en un entorno de alta tensión		-	
Peso neto		2,3 kg - 2,7 kg (5,1 lbs - 6,0 lbs)	

- Debido a nuestro continuo programa de investigación y desarrollo, las especificaciones aquí incluidas están sujetas a cambio sin previo aviso.
- Las especificaciones pueden variar de país a país.
- El peso puede variar en función de los accesorios, incluido el cartucho de batería. En la tabla se muestra la combinación de peso más ligero y más pesado conforme al procedimiento 01/2014 de EPTA.

Cartucho de batería y cargador aplicables

Cartucho de batería	BL1815N / BL1820B / BL1830 / BL1830B / BL1840B / BL1850B / BL1860B
Cargador	DC18RC / DC18RD / DC18RE / DC18SD / DC18SE / DC18SF / DC18SH

- Algunos de los cartuchos de batería y cargadores enumerados arriba podrían no estar disponibles dependiendo de su área de residencia.

⚠ ADVERTENCIA: Use únicamente los cartuchos de batería y los cargadores indicados arriba. El uso de cualquier otro cartucho de batería y cargador podría ocasionar una lesión y/o un incendio.

ADVERTENCIAS DE SEGURIDAD

Advertencias generales de seguridad para herramientas eléctricas

⚠ ADVERTENCIA: Lea todas las advertencias de seguridad, instrucciones, ilustraciones y especificaciones suministradas con esta herramienta eléctrica. El no seguir todas las instrucciones indicadas a continuación podría ocasionar una descarga eléctrica, incendio y/o lesiones graves.

Conserve todas las advertencias e instrucciones como referencia en el futuro.

En las advertencias, el término "herramienta eléctrica" se refiere a su herramienta eléctrica de funcionamiento con conexión a la red eléctrica (con cableado eléctrico) o herramienta eléctrica de funcionamiento a batería (inalámbrica).

Seguridad en el área de trabajo

1. **Mantenga el área de trabajo limpia y bien iluminada.** Las áreas oscuras o desordenadas son propensas a accidentes.
2. **No utilice las herramientas eléctricas en atmósferas explosivas, tal como en la presencia de líquidos, gases o polvo inflamables.** Las herramientas eléctricas crean chispas que pueden prender fuego al polvo o los humos.

3. **Mantenga a los niños y curiosos alejados mientras utiliza una herramienta eléctrica.** Las distracciones le pueden hacer perder el control.

Seguridad eléctrica

1. **Las clavijas de conexión de las herramientas eléctricas deberán encajar perfectamente en la toma de corriente. No modifique nunca la clavija de conexión de ninguna forma. No utilice ninguna clavija adaptadora con herramientas eléctricas que tengan conexión a tierra (puesta a tierra).** La utilización de clavijas no modificadas y que encajen perfectamente en la toma de corriente reducirá el riesgo de que se produzca una descarga eléctrica.
2. **Evite tocar con el cuerpo superficies conectadas a tierra o puestas a tierra tales como tubos, radiadores, cocinas y refrigeradores.** Si su cuerpo es puesto a tierra o conectado a tierra existirá un mayor riesgo de que sufra una descarga eléctrica.
3. **No exponga las herramientas eléctricas a la lluvia ni a condiciones húmedas.** La entrada de agua en una herramienta eléctrica aumentará el riesgo de que se produzca una descarga eléctrica.
4. **No maltrate el cable. Nunca utilice el cable para transportar, jalar o desconectar la herramienta eléctrica. Mantenga el cable alejado del calor, aceite, objetos cortantes o piezas móviles.** Los cables dañados o enredados aumentan el riesgo de sufrir una descarga eléctrica.
5. **Cuando utilice una herramienta eléctrica en exteriores, utilice un cable de extensión apropiado para uso en exteriores.** La utilización de un cable apropiado para uso en exteriores reducirá el riesgo de que se produzca una descarga eléctrica.
6. **Si no es posible evitar usar una herramienta eléctrica en condiciones húmedas, utilice un alimentador protegido con interruptor de circuito de falla a tierra (ICFT).** El uso de un ICFT reduce el riesgo de descarga eléctrica.
7. **Las herramientas eléctricas pueden producir campos electromagnéticos (CEM) que no son dañinos para el usuario.** Sin embargo, si los usuarios tienen marcapasos y otros dispositivos médicos similares, deberán consultar al fabricante de su dispositivo y/o a su médico antes de operar esta herramienta eléctrica.

Seguridad personal

1. **Manténgase alerta, preste atención a lo que está haciendo y utilice su sentido común cuando opere una herramienta eléctrica. No utilice una herramienta eléctrica cuando esté cansado o bajo la influencia de drogas, alcohol o medicamentos.** Un momento de distracción mientras opera las herramientas eléctricas puede terminar en una lesión grave.
2. **Use equipo de protección personal. Póngase siempre protección para los ojos.** El equipo protector tal como máscara contra el polvo, zapatos de seguridad antiderrapantes, casco rígido y protección para oídos utilizado en las condiciones apropiadas reducirá el riesgo de lesiones.

3. **Impida el encendido accidental. Asegúrese de que el interruptor esté en la posición de apagado antes de conectar a la alimentación eléctrica y/o de colocar el cartucho de batería, así como al levantar o cargar la herramienta.** Cargar las herramientas eléctricas con su dedo en el interruptor o enchufarlas con el interruptor encendido hace que los accidentes sean comunes.
4. **Retire cualquier llave de ajuste o llave de apriete antes de encender la herramienta.** Una llave de ajuste o llave de apriete que haya sido dejada puesta en una parte giratoria de la herramienta eléctrica puede ocasionar alguna lesión.
5. **No utilice la herramienta donde no alcance. Mantenga los pies sobre suelo firme y el equilibrio en todo momento.** Esto permite un mejor control de la herramienta eléctrica en situaciones inesperadas.
6. **Use una vestimenta apropiada. No use ropa suelta ni alhajas. Mantenga el cabello, la ropa y los guantes alejados de las piezas móviles.** Las prendas de vestir holgadas, las alhajas y el cabello largo suelto podrían engancharse en estas piezas móviles.
7. **Si dispone de dispositivos para la conexión de equipos de extracción y recolección de polvo, asegúrese de conectarlos y utilizarlos debidamente.** Hacer uso de la recolección de polvo puede reducir los riesgos relacionados con el polvo.
8. **No permita que la familiaridad adquirida debido al uso frecuente de las herramientas haga que se sienta confiado e ignore los principios de seguridad de las herramientas.** Un descuido podría ocasionar una lesión grave en una fracción de segundo.
9. **Utilice siempre gafas protectoras para proteger sus ojos de lesiones al usar herramientas eléctricas. Las gafas deben cumplir con la Norma ANSI Z87.1 en EUA. Es responsabilidad del empleador imponer el uso de equipos protectores de seguridad apropiados a los operadores de la herramienta y demás personas cerca del área de trabajo.**

Mantenimiento y uso de la herramienta eléctrica

1. **No fuerce la herramienta eléctrica. Utilice la herramienta eléctrica correcta para su aplicación.** La herramienta eléctrica adecuada hará un mejor trabajo y de forma más segura a la velocidad para la que ha sido fabricada.
2. **No utilice la herramienta eléctrica si el interruptor no la enciende y apaga.** Cualquier herramienta eléctrica que no pueda ser controlada con el interruptor es peligrosa y debe ser reemplazada.
3. **Desconecte la clavija de la fuente de alimentación y/o retire la batería de la herramienta eléctrica, en caso de ser removible, antes de realizar ajustes, cambiar accesorios o almacenar las herramientas eléctricas.** Tales medidas de seguridad preventivas reducirán el riesgo de poner en marcha la herramienta eléctrica de forma accidental.

4. **Guarde la herramienta eléctrica que no use fuera del alcance de los niños y no permita que las personas que no están familiarizadas con ella o con las instrucciones la operen.** Las herramientas eléctricas son peligrosas en manos de personas que no saben operarlas.
5. **Dé mantenimiento a las herramientas eléctricas y los accesorios. Compruebe que no haya piezas móviles desalineadas o estancadas, piezas rotas y cualquier otra condición que pueda afectar al funcionamiento de la herramienta eléctrica.** Si la herramienta eléctrica está dañada, haga que la reparen antes de utilizarla. Muchos de los accidentes son ocasionados por no dar un mantenimiento adecuado a las herramientas eléctricas.
6. **Mantenga las herramientas de corte limpias y filosas.** Si recibe un mantenimiento adecuado y tiene los bordes afilados, es probable que la herramienta se ataque menos y sea más fácil controlarla.
7. **Utilice la herramienta eléctrica, los accesorios y las brocas de acuerdo con estas instrucciones, considerando las condiciones laborales y el trabajo a realizar.** Si utiliza la herramienta eléctrica para realizar operaciones distintas de las indicadas, podrá presentarse una situación peligrosa.
8. **Mantenga los mangos y superficies de asiento secos, limpios y libres de aceite o grasa.** Los mangos y superficies de asiento resbalosos no permiten una manipulación segura ni el control de la herramienta en situaciones inesperadas.
9. **Cuando vaya a utilizar esta herramienta, evite usar guantes de trabajo de tela ya que éstos podrían atorarse.** Si los guantes de trabajo de tela llegan a atorarse en las piezas móviles, esto podría ocasionar lesiones personales.

Uso y cuidado de la herramienta a batería

1. **Recargue sólo con el cargador especificado por el fabricante.** Un cargador que es adecuado para un solo tipo de batería puede generar riesgo de incendio al ser utilizado con otra batería.
2. **Utilice las herramientas eléctricas solamente con las baterías designadas específicamente para ellas.** La utilización de cualquier otra batería puede crear un riesgo de lesiones o incendio.
3. **Cuando no se esté usando la batería, manténgala alejada de otros objetos metálicos, como sujetapapeles (clips), monedas, llaves, clavos, tornillos u otros objetos pequeños de metal los cuales pueden actuar creando una conexión entre las terminales de la batería.** Originar un cortocircuito en las terminales puede causar quemaduras o incendios.
4. **En condiciones abusivas, podrá escapar líquido de la batería; evite tocarlo. Si lo toca accidentalmente, enjuague con agua. Si hay contacto del líquido con los ojos, busque asistencia médica.** Puede que el líquido expulsado de la batería cause irritación o quemaduras.
5. **No utilice una herramienta ni una batería que estén dañadas o hayan sido modificadas.** Las baterías dañadas o modificadas podrían ocasionar una situación inesperada provocando un incendio, explosión o riesgo de lesiones.

6. **No exponga la herramienta ni la batería al fuego ni a una temperatura excesiva.** La exposición al fuego o a una temperatura superior a los 130 °C podría causar una explosión.
 7. **Siga todas las instrucciones para la carga y evite cargar la herramienta o la batería fuera del rango de temperatura especificado en las instrucciones.** Una carga inadecuada o a una temperatura fuera del rango especificado podría dañar la batería e incrementar el riesgo de incendio.
- Servicio**
1. **Haga que una persona calificada repare la herramienta eléctrica utilizando sólo piezas de repuesto idénticas.** Esto asegura que se mantenga la seguridad de la herramienta eléctrica.
 2. **Nunca dé servicio a baterías que estén dañadas.** El servicio a las baterías solamente deberá ser efectuado por el fabricante o un agente de servicio autorizado.
 3. **Siga las instrucciones para la lubricación y cambio de accesorios.**
 4. **No modifique ni intente reparar el aparato ni el paquete de baterías salvo como se indique en las instrucciones para el uso y cuidado.**

Advertencias de seguridad para la llave de impacto inalámbrica

1. **Sujete la herramienta eléctrica por las superficies de agarre aisladas al realizar una operación en la que el sujetador pueda entrar en contacto con cables ocultos.** Si el sujetador entra en contacto con un cable con corriente, las piezas metálicas expuestas de la herramienta eléctrica se cargarán también de corriente y el operario puede recibir una descarga.
2. **Póngase protectores de oídos.**
3. **Revise cuidadosamente el dado de impacto para ver que no haya desgaste, grietas o daños antes de la instalación.**
4. **Sujete la herramienta con firmeza.**
5. **Mantenga las manos alejadas de las piezas giratorias.**
6. **No toque el dado de impacto, el perno, la tuerca o la pieza de trabajo inmediatamente después de la operación.** Podrían estar extremadamente calientes y causarle quemaduras en la piel.
7. **Asegúrese siempre de que pisa sobre suelo firme. Asegúrese de que no haya nadie debajo cuando utilice la herramienta en lugares altos.**
8. **La torsión de apriete apropiada puede variar en función del tipo o tamaño del perno. Compruebe el par de apriete con una llave de torsión.**


GUARDE ESTAS INSTRUCCIONES.

⚠️ ADVERTENCIA: NO DEJE que la comodidad o familiaridad con el producto (a base de utilizarlo repetidamente) evite que siga estrictamente las normas de seguridad para dicho producto.

El USO INCORRECTO o el no seguir las normas de seguridad indicadas en este manual de instrucciones puede ocasionar lesiones graves.

Símbolos

A continuación se muestran los símbolos utilizados para la herramienta.

V	volts o voltios
— — —	corriente directa o continua
n_0	velocidad sin carga
... /min r /min	revoluciones o alternaciones por minuto, frecuencia de rotación
	número de percusiones

Instrucciones importantes de seguridad para el cartucho de batería

1. Antes de utilizar el cartucho de batería, lea todas las instrucciones e indicaciones de precaución en el (1) el cargador de batería, (2) la batería, y (3) el producto con el que se utiliza la batería.
2. No desarme el cartucho de batería.
3. Si el tiempo de operación se ha acortado en exceso, deje de operar de inmediato. Podría correrse el riesgo de sobrecalentamiento, posibles quemaduras e incluso explosión.
4. En caso de que ingresen electrolitos en sus ojos, enjuáguelos bien con agua limpia y consulte de inmediato a un médico. Esto podría ocasionar pérdida de visión.
5. Evite cortocircuitar el cartucho de batería:
 - (1) No toque las terminales con ningún material conductor.
 - (2) Evite guardar el cartucho de batería en un cajón junto con otros objetos metálicos, tales como clavos, monedas, etc.
 - (3) No exponga el cartucho de batería al agua o la lluvia.Un cortocircuito en la batería puede causar un flujo grande de corriente, sobrecalentamiento, posibles quemaduras e incluso una descompostura.
6. No guarde ni utilice la herramienta y el cartucho de batería en lugares donde la temperatura pueda alcanzar o exceder los 50 °C (122 °F).
7. Nunca incinere el cartucho de batería incluso en el caso de que esté dañado seriamente o ya no sirva en absoluto. El cartucho de batería puede explotar si se tira al fuego.
8. Tenga cuidado de no dejar caer ni golpear la batería.
9. No use una batería dañada.

10. Las baterías de ión de litio están sujetas a los requisitos reglamentarios en materia de bienes peligrosos.

Para el transporte comercial, por ej., mediante terceros o agentes de transporte, se deben tomar en cuenta los requisitos especiales relativos al empaque y el etiquetado.

Para efectuar los preparativos del artículo que se va a enviar, se requiere consultar a un experto en materiales peligrosos. Si es posible, consulte además otras regulaciones nacionales más detalladas.

Pegue o cubra con cinta adhesiva los contactos abiertos y empaque la batería de manera que ésta no pueda moverse dentro del paquete.

11. Para deshacerse del cartucho de batería, sáquelo de la herramienta y deséchelo en un lugar seguro. Siga las regulaciones locales relacionadas al desecho de las baterías.
12. Utilice las baterías únicamente con los productos especificados por Makita. Instalar las baterías en productos que no cumplan con los requisitos podría ocasionar un incendio, un calentamiento excesivo, una explosión o una fuga de electrolito.
13. Si no se utiliza la herramienta por un período largo, debe extraerse la batería de la herramienta.

GUARDE ESTAS INSTRUCCIONES.

⚠PRECAUCIÓN: Utilice únicamente baterías originales de Makita. El uso de baterías no originales de Makita, o de baterías alteradas, puede ocasionar que las baterías exploten causando un incendio, lesiones personales y daños. Asimismo, esto invalidará la garantía de Makita para la herramienta y el cargador Makita.

Consejos para alargar al máximo la vida útil de la batería

1. Cargue el cartucho de batería antes de que se descargue completamente. Pare siempre la operación y cargue el cartucho de batería cuando note menos potencia en la herramienta.
2. No cargue nunca un cartucho de batería que esté completamente cargado. La sobrecarga acortará la vida de servicio de la batería.
3. Cargue el cartucho de batería a una temperatura ambiente de 10 °C - 40 °C (50 °F - 104 °F). Si un cartucho de batería está caliente, déjelo enfriar antes de cargarlo.
4. Cargue el cartucho de batería si no va a utilizarlo durante un período prolongado (más de seis meses).

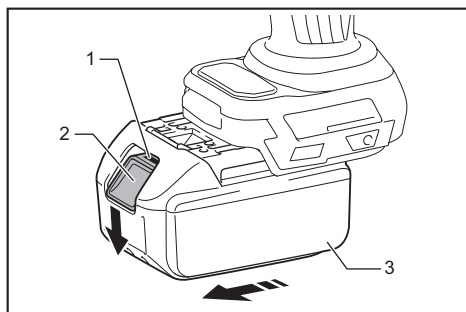
DESCRIPCIÓN DEL FUNCIONAMIENTO

⚠️ PRECAUCIÓN: Asegúrese siempre de que la herramienta esté apagada y el cartucho de batería haya sido extraído antes de realizar cualquier ajuste o comprobación en la herramienta.

Instalación o extracción del cartucho de batería

⚠️ PRECAUCIÓN: Apague siempre la herramienta antes de colocar o quitar el cartucho de batería.

⚠️ PRECAUCIÓN: Sujete la herramienta y el cartucho de la batería con firmeza al colocar o quitar el cartucho de batería. Si no se sujeta con firmeza la herramienta y el cartucho de batería, puede ocasionar que se resbalen de sus manos causando daños a la herramienta y al cartucho de batería, así como lesiones a la persona.



► 1. Indicador rojo 2. Botón 3. Cartucho de batería

Para quitar el cartucho de batería, deslícelo de la herramienta mientras desliza el botón sobre la parte delantera del cartucho.

Para colocar el cartucho de batería, alinee la lengüeta sobre el cartucho de batería con la ranura en la carcasa y deslice en su lugar. Inserte por completo hasta que se fije en su lugar con un pequeño clic. Si puede ver el indicador rojo del lado superior del botón, esto indica que no ha quedado fijo por completo.

⚠️ PRECAUCIÓN: Introduzca siempre completamente el cartucho de batería hasta que el indicador rojo no pueda verse. Si no, podría accidentalmente salirse de la herramienta y caer al suelo causando una lesión a usted o alguien a su alrededor.

⚠️ PRECAUCIÓN: No instale el cartucho de batería a la fuerza. Si el cartucho no se desliza al interior fácilmente, se debe a que no está siendo insertado correctamente.

Sistema de protección para la herramienta/batería

La herramienta está equipada con un sistema de protección para la herramienta/batería. Este sistema corta automáticamente la alimentación para prolongar la vida de la herramienta y la batería. La herramienta se detendrá automáticamente durante la operación si la herramienta o la batería se someten a una de las siguientes condiciones:

Protección contra sobrecarga

Esta protección funciona cuando la herramienta se está utilizando de una manera que causa que consuma una cantidad de corriente inusualmente alta. En esta situación, apague la herramienta y detenga la aplicación que haya causado que la herramienta se sobrecargara. Luego encienda la herramienta para reiniciarla.

Protección contra sobrecalentamiento

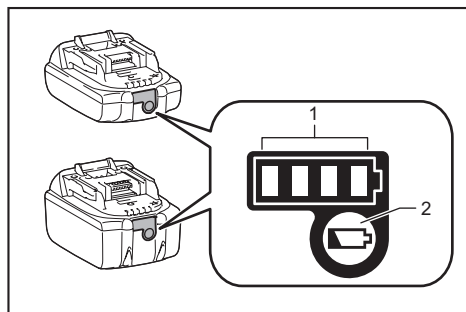
Esta protección funciona solo cuando la herramienta o la batería se sobrecalientan. En este caso, espere a que la herramienta y la batería se enfrien antes de volver a encender la herramienta.

Protección en caso de sobredescarga

Esta protección funciona cuando la capacidad restante de la batería disminuye. En esta situación, extraiga la batería de la herramienta y cárguela.

Indicación de la capacidad restante de la batería

Únicamente para cartuchos de batería con el indicador



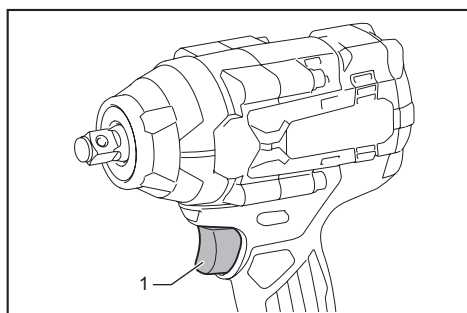
► 1. Luces indicadoras 2. Botón de verificación

Oprima el botón de verificación en el cartucho de la batería para que indique la capacidad restante de la batería. Las luces indicadoras se iluminarán por algunos segundos.

Luces indicadoras			Capacidad restante
Iluminadas	Apagadas	Parpadeando	
■	□	▧	75% a 100%
■ ■ ■ ■			
	□		50% a 75%
■ ■ ■ ■	□		
	□	▧	25% a 50%
■ ■ ■ ■	□ □	▧	
	□		0% a 25%
■ ■ ■ ■	□ □ □ □		
▧	□	□	Cargar la batería.
▧	□	□	La batería pudo haber funcionado mal.
□	□	■ ■	

NOTA: Dependiendo de las condiciones de uso y la temperatura ambiente, la indicación podrá diferir ligeramente de la capacidad real.

Accionamiento del interruptor



► 1. Gatillo interruptor

PRECAUCIÓN: Antes de insertar el cartucho de batería en la herramienta, compruebe siempre y cerciórese de que el gatillo interruptor se acciona debidamente y que vuelve a la posición “OFF” (apagado) cuando lo suelta.

Para poner en marcha la herramienta, simplemente apriete el gatillo interruptor. La velocidad de la herramienta aumenta incrementando la presión en el gatillo. Para detenerla, suelte el gatillo.

NOTA: La herramienta se detendrá automáticamente si continúa jalando el gatillo interruptor durante 6 minutos.

NOTA: Cuando se activa el modo de velocidad máxima, la velocidad de rotación se vuelve más rápida incluso si no aprieta el gatillo interruptor por completo.

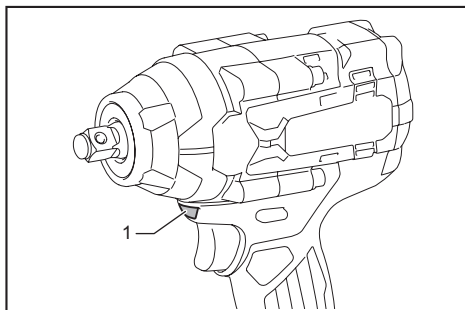
Para información detallada, consulte la sección del modo de velocidad máxima.

Freno eléctrico

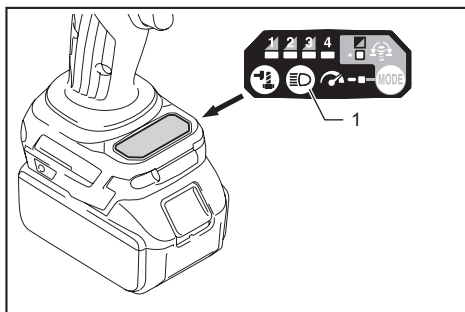
La herramienta está equipada con un freno eléctrico. Si la herramienta falla constantemente en detenerse tras soltar el gatillo interruptor, lleve la herramienta a mantenimiento a un centro de servicio Makita.

Iluminación de la luz delantera

PRECAUCIÓN: No mire a la luz ni vea a la fuente de luz directamente.



► 1. Luz



► 1. Botón

Para activar el estado de la lámpara, presione el botón durante un segundo. Para desactivar el estado de la lámpara, presione de nuevo el botón durante un segundo.

Con el estado de la lámpara activado, jale el gatillo interruptor para encender la lámpara. Para apagarla, libérela. La lámpara se apaga aproximadamente 10 segundos después de haber liberado el gatillo interruptor. Con el estado de la lámpara desactivado, la lámpara no se encenderá incluso al jalar el gatillo.

NOTA: Para confirmar el estado de la lámpara, jale el gatillo. Cuando la lámpara se enciende al jalar el gatillo interruptor, el estado de la lámpara está activado. Cuando la lámpara no se enciende, el estado de la lámpara está desactivado.

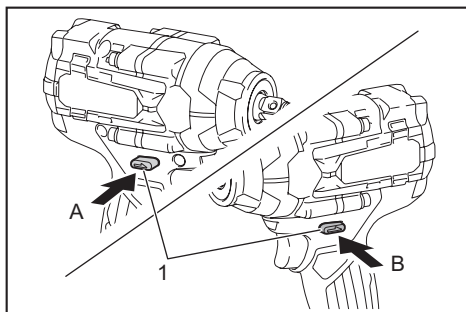
NOTA: Cuando la herramienta se sobrecalienta, la luz parpadea durante un minuto, y luego la pantalla LED se desactiva. En este caso, deje enfriar la herramienta antes de usarla de nuevo.

NOTA: Utilice un paño seco para quitar la suciedad de la lente de la lámpara. Tenga cuidado de no rayar la lente de la lámpara ya que la iluminación podría disminuir.

NOTA: Mientras se jala el gatillo interruptor, el estado de la lámpara no puede cambiarse.

NOTA: Aproximadamente 10 segundos después de haber soltado el gatillo interruptor, el estado de la lámpara puede cambiarse.

Accionamiento del conmutador de inversión de giro



► 1. Palanca del interruptor de inversión

⚠PRECAUCIÓN: Confirme siempre la dirección de rotación antes de la operación.

⚠PRECAUCIÓN: Utilice el conmutador de inversión solamente después de que la herramienta haya parado completamente. Si cambia la dirección de rotación antes de que la herramienta haya parado podría dañarla.

⚠PRECAUCIÓN: Cuando no esté utilizando la herramienta, ponga siempre la palanca del conmutador de inversión en la posición neutral.


Esta herramienta tiene un conmutador de inversión para cambiar la dirección de rotación. Presione la palanca del conmutador de inversión desde el lado A para una rotación en sentido de las manecillas del reloj o desde el lado B, para una rotación en sentido inverso al de las manecillas del reloj.

Cuando la palanca del conmutador de inversión esté en la posición neutral, no se podrá jalar el gatillo conmutador.



Cambio del modo de aplicación

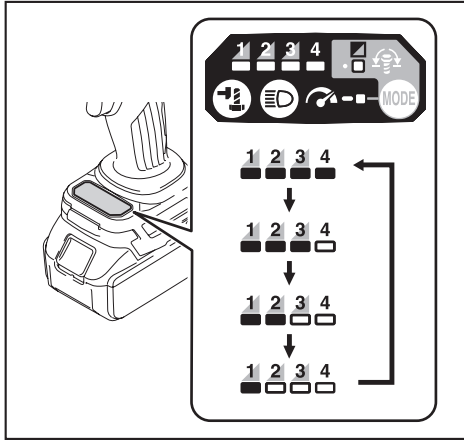
Cambio de la fuerza de impacto

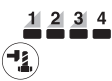
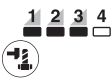

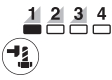
Usted puede cambiar la fuerza de impacto a cuatro niveles: 4 (máx.), 3 (dura), 2 (media) y 1 (suave). Esto permite un apriete adecuado para el trabajo.


El nivel de la fuerza de impacto cambia cada vez que presiona el botón .


Usted puede cambiar la fuerza de impacto dentro de aproximadamente un minuto después de haber soltado el gatillo interruptor.

NOTA: Usted puede extender el tiempo para cambiar la fuerza de impacto en aproximadamente un minuto si oprime el botón  o .



Modo de aplicación (Grado de fuerza del impacto mostrado en el panel)	Golpes máximos	Propósito
4 (Máx.) 	2 700 gpm	Apriete con la máxima fuerza y velocidad. Apriete cuando se desean la fuerza y la velocidad.
3 (duro) 	2 400 gpm	Apriete con menos fuerza y velocidad que el modo máx. (es más fácil controlar que en el modo máx.). Apriete cuando se desean la fuerza y la velocidad.
2 (medio) 	1 700 gpm	Apriete cuando se requiere un buen acabado. Apriete cuando se requiere un buen control sobre la potencia.
1 (suave) 	1 000 gpm	Apriete con menos fuerza para evitar que se rompa la rosca del tornillo. Apriete cuando se requiere un ajuste fino con pernos de diámetro pequeño.

: La lámpara está encendida.

NOTA: Cuando ninguna de las lámparas del panel esté encendida, jale el gatillo interruptor una vez antes de presionar el botón .



NOTA: Todas las lámparas en el panel del interruptor se apagarán cuando la herramienta se apague para ahorrar energía en la batería. El grado de fuerza del impacto puede verificarse jalando el gatillo interruptor ligeramente de tal manera que la herramienta no se ponga en marcha.

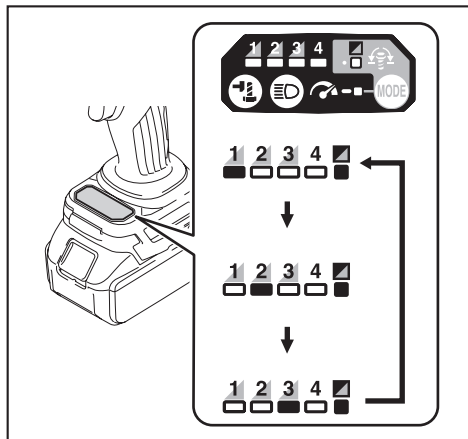
Cambio del modo de aplicación


Esta herramienta emplea varios modos de aplicación fáciles de usar para insertar pernos con un buen control.



El tipo de modo de aplicación cambia cada vez que presiona el botón .

Usted puede cambiar el modo de aplicación dentro de aproximadamente un minuto después de haber soltado el gatillo interruptor.


NOTA: Usted puede extender el tiempo para cambiar el modo de aplicación en aproximadamente un minuto si oprime el botón  o .



Modo de aplicación (Tipo de asistencia mostrado en el panel)	Característica	Propósito
Modo para pernos	<p>En el sentido de las manecillas del reloj Este modo ayuda a repetir el atornillado continuo con una torsión igual. Este modo también ayuda a reducir el riesgo de rompimiento de pernos/tuercas debido a un apriete excesivo.</p> <p>En el sentido contrario a las manecillas del reloj Este modo ayuda a evitar que un perno se caiga. Al aflojar un perno con la herramienta girando en el sentido contrario a las manecillas del reloj, la herramienta se detendrá automáticamente o se desacelerará una vez que el perno/tuerca se afloje lo suficiente.</p> <p>NOTA: El tiempo para detener el atornillado varía según el tipo de perno/tuerca y el material que se va a atornillar. Realice una prueba de atornillado antes de usar este modo.</p>	<p>En el sentido de las manecillas del reloj Evitar el apriete excesivo de los pernos.</p> <p>En el sentido contrario a las manecillas del reloj Aflojar pernos.</p>
Modo para pernos (1) 	<p>En el sentido de las manecillas del reloj La herramienta se detiene automáticamente poco después de que comience los golpes de impacto.</p> <p>En el sentido contrario a las manecillas del reloj La fuerza del impacto es 4. La herramienta se detiene automáticamente poco después de que detiene los golpes de impacto.</p>	-

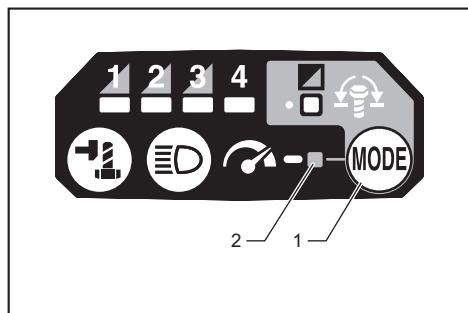
Modo de aplicación (Tipo de asistencia mostrado en el panel)	Característica	Propósito
Modo para pernos (2) 	<p>En el sentido de las manecillas del reloj La herramienta se detiene automáticamente aproximadamente 0.5 segundos después a partir del momento en que la herramienta ha iniciado los golpes de impacto.</p> <p>En el sentido contrario a las manecillas del reloj La fuerza del impacto es 4. La herramienta se detiene automáticamente aproximadamente 0,2 segundos después a partir del momento en que la herramienta ha detenido los golpes de impacto.</p>	-
Modo para pernos (3) 	<p>En el sentido de las manecillas del reloj La herramienta se detiene automáticamente aproximadamente 1 segundos después a partir del momento en que la herramienta ha iniciado los golpes de impacto.</p> <p>En el sentido contrario a las manecillas del reloj La herramienta desacelera la rotación una vez que ha detenido los golpes de impacto.</p>	-

: La lámpara está encendida.

NOTA: Cuando ninguna de las lámparas del panel esté encendida, jale el gatillo interruptor una vez antes de presionar el botón .



NOTA: Todas las lámparas en el panel del interruptor se apagarán cuando la herramienta se apague para ahorrar energía en la batería. El tipo de modo de aplicación puede verificarse jalando el gatillo interruptor hasta el punto en que la herramienta no funcione.

Modo de velocidad máxima



► 1. Botón  2. Lámpara

Cuando se activa el modo de velocidad máxima, la velocidad de la herramienta se vuelve más rápida incluso si no aprieta el gatillo interruptor por completo. Cuando se desactiva el modo de velocidad máxima, la velocidad de la herramienta aumenta conforme incrementa la presión en el gatillo interruptor.

Para encender el modo de velocidad máxima, oprima y deje sostenido el botón . Para apagar el modo de velocidad máxima, oprima y mantenga presionado el botón  nuevamente.

La lámpara se enciende mientras el modo de velocidad máxima sigue activado.

NOTA: El modo de velocidad máxima continúa incluso después de activar el modo de fuerza del impacto/modo de parada automática.

ENSAMBLADO

⚠PRECAUCIÓN: Asegúrese siempre de que la herramienta esté apagada y el cartucho de batería haya sido extraído antes de realizar cualquier trabajo en la misma.

Selección del dado de impacto correcto

Utilice siempre el dado de impacto de tamaño correcto para pernos y tuercas. El utilizar un dado de impacto de tamaño incorrecto dará como resultado una torsión de apriete imprecisa e inconsistente y/o daños al perno o a la tuerca.

Instalación o extracción del dado de impacto

Accesorio opcional

⚠️ PRECAUCIÓN: Asegúrese de que el dado de impacto y la pieza de montaje no estén dañados antes de instalar el dado de impacto.

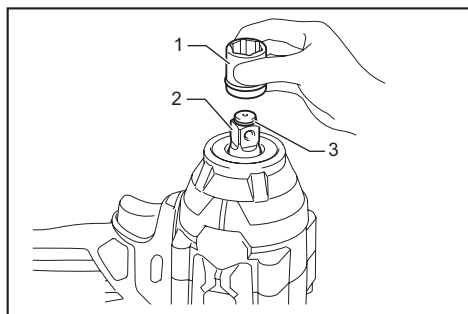
⚠️ PRECAUCIÓN: Después de insertar el dado de impacto, asegúrese de que éste quede firmemente asegurado. Si se llega a salir, no lo utilice.

NOTA: La forma de instalación del dado de impacto varía según el tipo del adaptador cuadrado en la herramienta.

Herramienta con el resorte de anillo

Modelo XWT17

Para dados de impacto sin anillo en O ni pasador

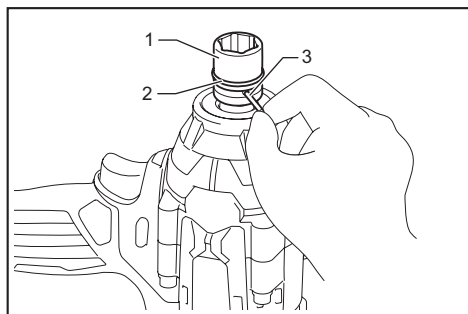


- 1. Dado de impacto 2. Adaptador cuadrado
3. Resorte de anillo

Empuje el dado de impacto en el adaptador cuadrado hasta que quede asegurado en su lugar.

Para quitar el dado de impacto, simplemente jálelo hasta retirarlo.

Para dados de impacto con anillo en O y pasador



- 1. Dado de impacto 2. Anillo en O 3. Pasador

Saque el anillo en O fuera de la ranura en el dado de impacto y retire el pasador del dado de impacto. Coloque el dado de impacto en el adaptador cuadrado de manera que el orificio en el dado de impacto quede alineado con el orificio en el adaptador cuadrado.

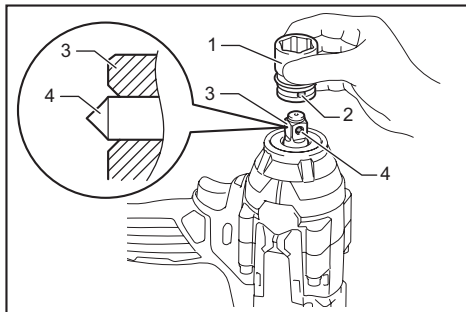
Inserte el pasador a través del orificio en el dado de impacto y el adaptador cuadrado. Luego coloque nuevamente el anillo en O en su posición original en la ranura del dado de impacto para retener el pasador.

Para retirar el dado de impacto, siga el procedimiento de instalación en orden inverso.

Herramienta con el pasador de retención

Modelo XWT18

Para herramienta con el pasador de retención de ajuste ligero



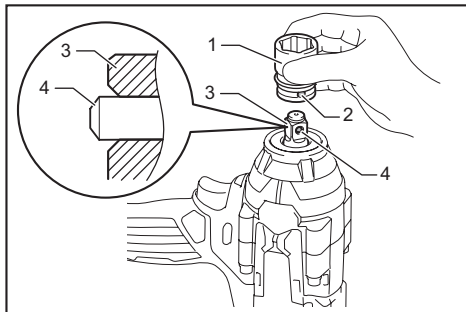
- 1. Dado de impacto 2. Orificio 3. Adaptador cuadrado 4. Pasador de retención

Para instalar el dado, alinee el orificio en el lado del dado con el pasador de retención en el adaptador cuadrado, luego empujelo en el adaptador cuadrado hasta que quede asegurado en su lugar. Golpéelo ligeramente de ser necesario.

Para quitar el dado, simplemente jálelo y retírelo.

Para herramienta con el pasador de retención de ajuste firme

Accesorio opcional



- 1. Dado de impacto 2. Orificio 3. Adaptador cuadrado 4. Pasador de retención

Para instalar el dado, alinee el orificio en el lado del dado con el pasador de retención en el adaptador cuadrado, luego empujelo en el adaptador cuadrado hasta que quede asegurado en su lugar. Golpéelo ligeramente de ser necesario.

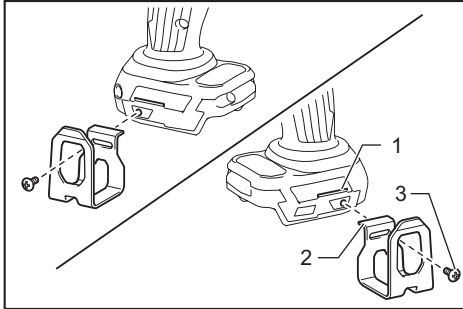
Para retirar el dado, presione el pasador de retención a través del orificio en el dado y tire del dado para sacarlo del adaptador cuadrado.

NOTA: El pasador de retención de ajuste firme puede quedar demasiado ajustado para quitarlo del dado.

En este caso, presione completamente el pasador de retención de ajuste firme y tire del dado para sacarlo del adaptador cuadrado.

Instalación del gancho

PRECAUCIÓN: Cuando instale el gancho, siempre asegúrelo firmemente con el tornillo. De lo contrario, el gancho podría desprenderse de la herramienta y ocasionar lesiones personales.

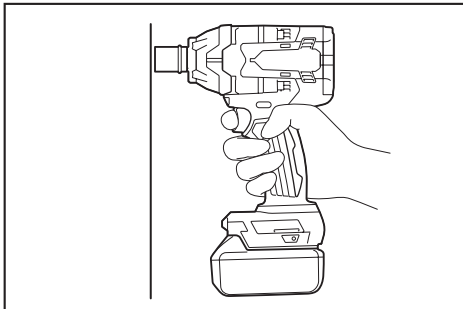


► 1. Ranura 2. Gancho 3. Tornillo

El gancho resulta útil para colgar temporalmente la herramienta. Se puede instalar en cualquiera de los lados de la herramienta. Para instalar el gancho, insértelo en una ranura del alojamiento de la herramienta de cualquiera de los lados y después sujételo con dos tornillos. Para quitarlo, afloje los tornillos y después sáquelo.

OPERACIÓN

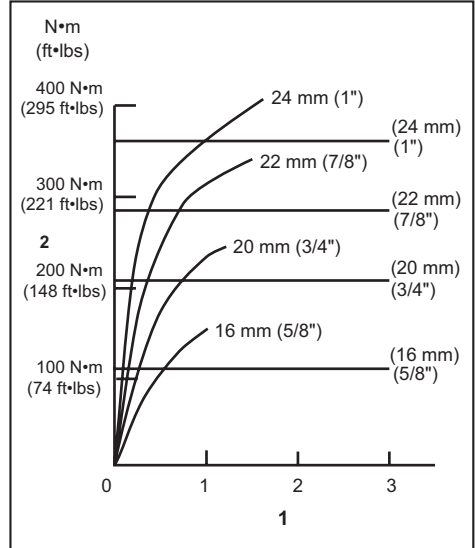
PRECAUCIÓN: Siempre inserte completamente el cartucho de batería hasta que quede asegurado en su lugar. Si puede ver el indicador rojo del lado superior del botón, esto indica que no ha quedado completamente asegurado. Insértelo por completo hasta que el indicador rojo no pueda verse. De lo contrario, podría salirse accidentalmente de la herramienta y ocasionarle lesiones a usted o a alguien a su alrededor.



Sujete firmemente la herramienta y ponga el dado de impacto sobre el perno o la tuerca. Ponga en marcha la herramienta y apriete durante el tiempo de apriete apropiado.

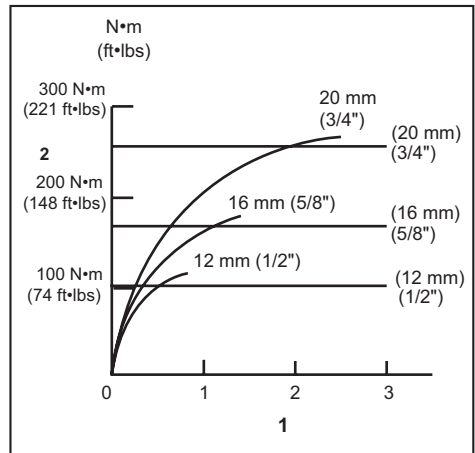
La torsión de apriete adecuada podrá variar dependiendo del tipo o tamaño del perno, el material de la pieza de trabajo que se va a apretar, etc. La relación entre la torsión de apriete y el tiempo de apriete se muestra en las figuras.

Torsión de apriete apropiada para un perno estándar con un modo de impacto máx. (4)



1. Tiempo de apriete (segundos) 2. Torsión de apriete

Torsión de apriete apropiada para un perno de alta resistencia con un modo de impacto máx. (4)



1. Tiempo de apriete (segundos) 2. Torsión de apriete

NOTA: Sujete la herramienta orientada en línea recta al perno o tuerca.

NOTA: Una torsión de apriete excesiva puede dañar el perno/tuerca o el dado de impacto. Antes de comenzar su trabajo, realice siempre una operación de prueba para determinar el tiempo de apriete apropiado para el perno o la tuerca que quiere apretar.

NOTA: Si la herramienta se opera de forma continua hasta descargarse la batería, permita que la herramienta descanse unos 15 minutos antes de continuar con una batería recargado.

La torsión de apriete se ve afectada por una amplia variedad de factores incluyendo los siguientes.

Después del apriete, compruebe siempre la torsión con una llave de torsión.

1. Cuando el cartucho de batería esté casi completamente descargado, caerá la tensión y se reducirá la torsión de apriete.
2. Dado de impacto
 - Si no se utiliza un dado de impacto del tamaño correcto, la torsión de apriete se verá reducida.
 - Si se utiliza un dado de impacto desgastado (desgaste en el extremo hexagonal o en el extremo cuadrado), la torsión de apriete se verá reducida.
3. Perno
 - Incluso si el coeficiente de torsión y la clase de tornillo son los mismos, la adecuada torsión de apriete variará en función del diámetro del tornillo.
 - Incluso si el diámetro del tornillo o perno es el mismo, la torsión de apriete correcta variará de acuerdo con el coeficiente de torsión, la clase y la longitud del perno o tornillo.
4. El uso de una junta universal o de una barra de extensión reduce de alguna manera la fuerza de apriete de la llave de impacto. Compense esto alargando el tiempo de apriete.
5. La forma de sostener la herramienta o el material en la posición a apretar afectará a la torsión.
6. La operación de la herramienta a baja velocidad ocasionará una reducción de la torsión de apriete.

MANTENIMIENTO

PRECAUCIÓN: Asegúrese siempre de que la herramienta esté apagada y el cartucho de batería extraído antes de intentar realizar una inspección o mantenimiento.

AVISO: Nunca use gasolina, bencina, diluyente (tíner), alcohol o sustancias similares. Puede que esto ocasione grietas o descoloramiento.

Para mantener la SEGURIDAD y FIABILIDAD del producto, las reparaciones, y cualquier otra tarea de mantenimiento o ajuste deberán ser realizadas en centros de servicio autorizados o de fábrica Makita, empleando siempre repuestos Makita.

ACCESORIOS OPCIONALES

PRECAUCIÓN: Estos accesorios o aditamentos están recomendados para utilizarse con su herramienta Makita especificada en este manual. El empleo de cualquier otro accesorio o aditamento puede conllevar el riesgo de lesiones personales. Utilice los accesorios o aditamentos solamente para su fin establecido.

Si necesita cualquier ayuda para más detalles en relación con estos accesorios, pregunte a su centro de servicio local Makita.

- Dado de impacto
- Barra de extensión
- Junta universal
- Batería y cargador originales de Makita
- Conjunto del pasador 4 (para XWT18 solamente)

NOTA: Algunos de los artículos en la lista pueden incluirse en el paquete de la herramienta como accesorios estándar. Éstos pueden variar de país a país.

GARANTÍA LIMITADA DE MAKITA

Ésta Garantía no aplica para México

Consulte la hoja de la garantía anexa para ver los términos más vigentes de la garantía aplicable a este producto. En caso de no disponer de esta hoja de garantía anexa, consulte los detalles sobre la garantía descritos en el sitio web de su país respectivo indicado a continuación.

Estados Unidos de América: www.makitatools.com

Canadá: www.makita.ca

Otros países: www.makita.com

< USA only >

WARNING

Some dust created by power sanding, sawing, grinding, drilling, and other construction activities contains chemicals known to the State of California to cause cancer, birth defects or other reproductive harm. Some examples of these chemicals are:

- lead from lead-based paints,
- crystalline silica from bricks and cement and other masonry products, and
- arsenic and chromium from chemically-treated lumber.

Your risk from these exposures varies, depending on how often you do this type of work. To reduce your exposure to these chemicals: work in a well ventilated area, and work with approved safety equipment, such as those dust masks that are specially designed to filter out microscopic particles.

< Sólo en los Estados Unidos >

ADVERTENCIA

Algunos polvos creados por el lijado, aserrado, esmerilado, taladrado y otras actividades de la construcción contienen sustancias químicas reconocidas por el Estado de California como causantes de cáncer, defectos de nacimiento y otros peligros de reproducción. Algunos ejemplos de estos productos químicos son:

- plomo de pinturas a base de plomo,
- sílice cristalino de ladrillos y cemento y otros productos de albañilería, y
- arsénico y cromo de maderas tratadas químicamente.

El riesgo al que se expone varía, dependiendo de la frecuencia con la que realice este tipo de trabajo. Para reducir la exposición a estos productos químicos: trabaje en un área bien ventilada y póngase el equipo de seguridad indicado, tal como las máscaras contra polvo que están especialmente diseñadas para filtrar partículas microscópicas.

Makita Corporation

3-11-8, Sumiyoshi-cho,
Anjo, Aichi 446-8502 Japan

www.makita.com

885799-943
XWT17-1
EN, ESMX
20200226